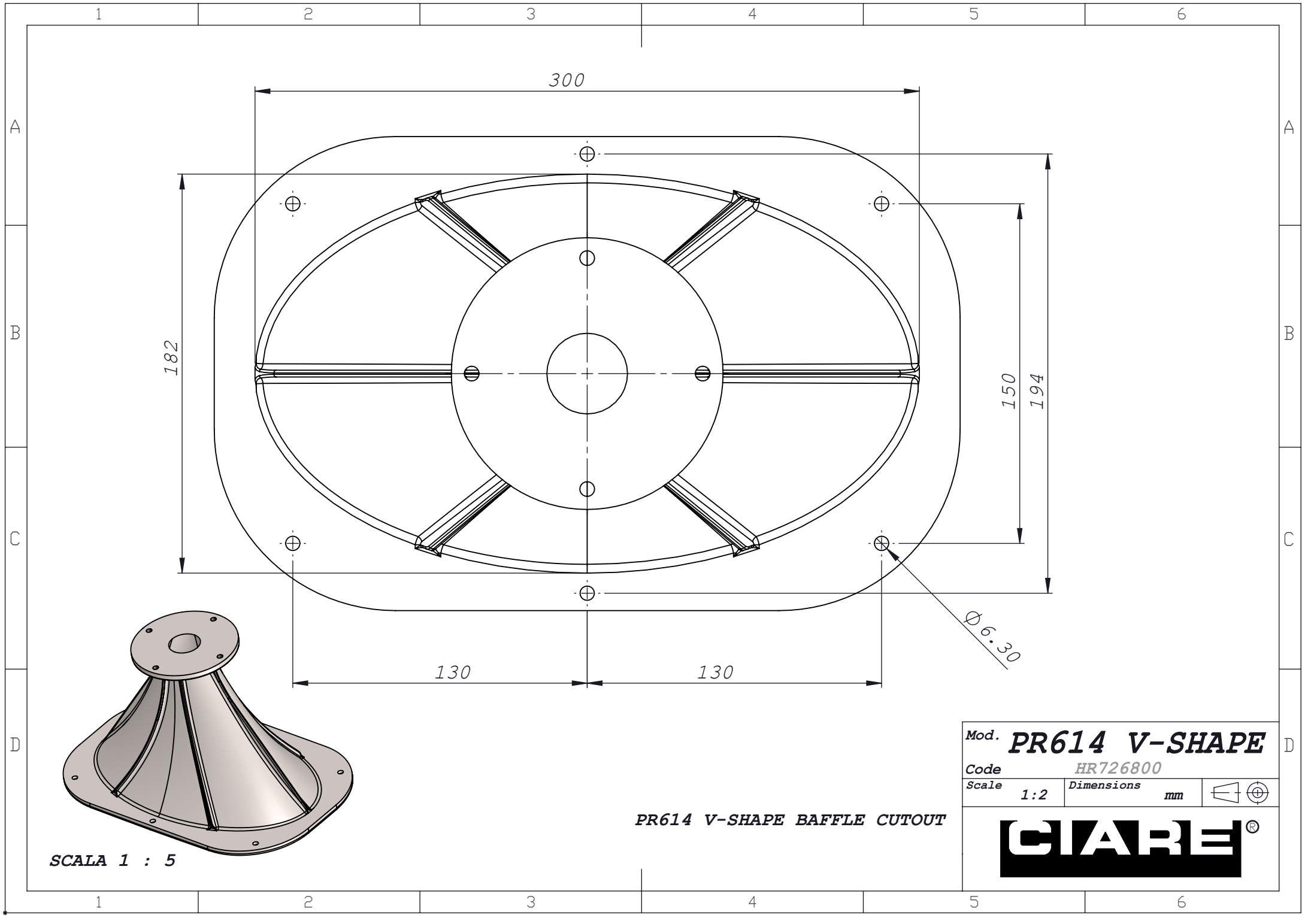


Mod. **PR614 V-SHAPE**
 Code **HR726800**
 Scale **1:2.5** Dimensions **mm**





182

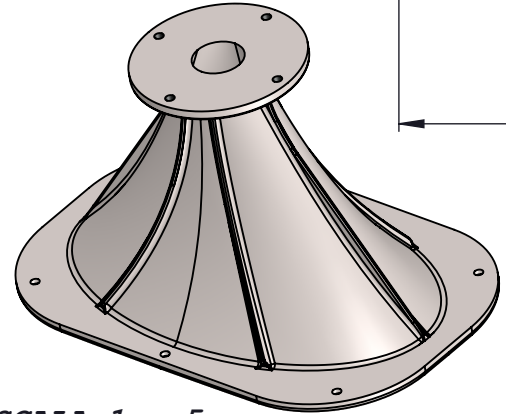
300

150
194

130

130

Ø6.30



SCALA 1 : 5

PR614 V-SHAPE BAFFLE CUTOUT

Mod.	PR614 V-SHAPE		
Code	HR726800		
Scale	1:2	Dimensions	mm

