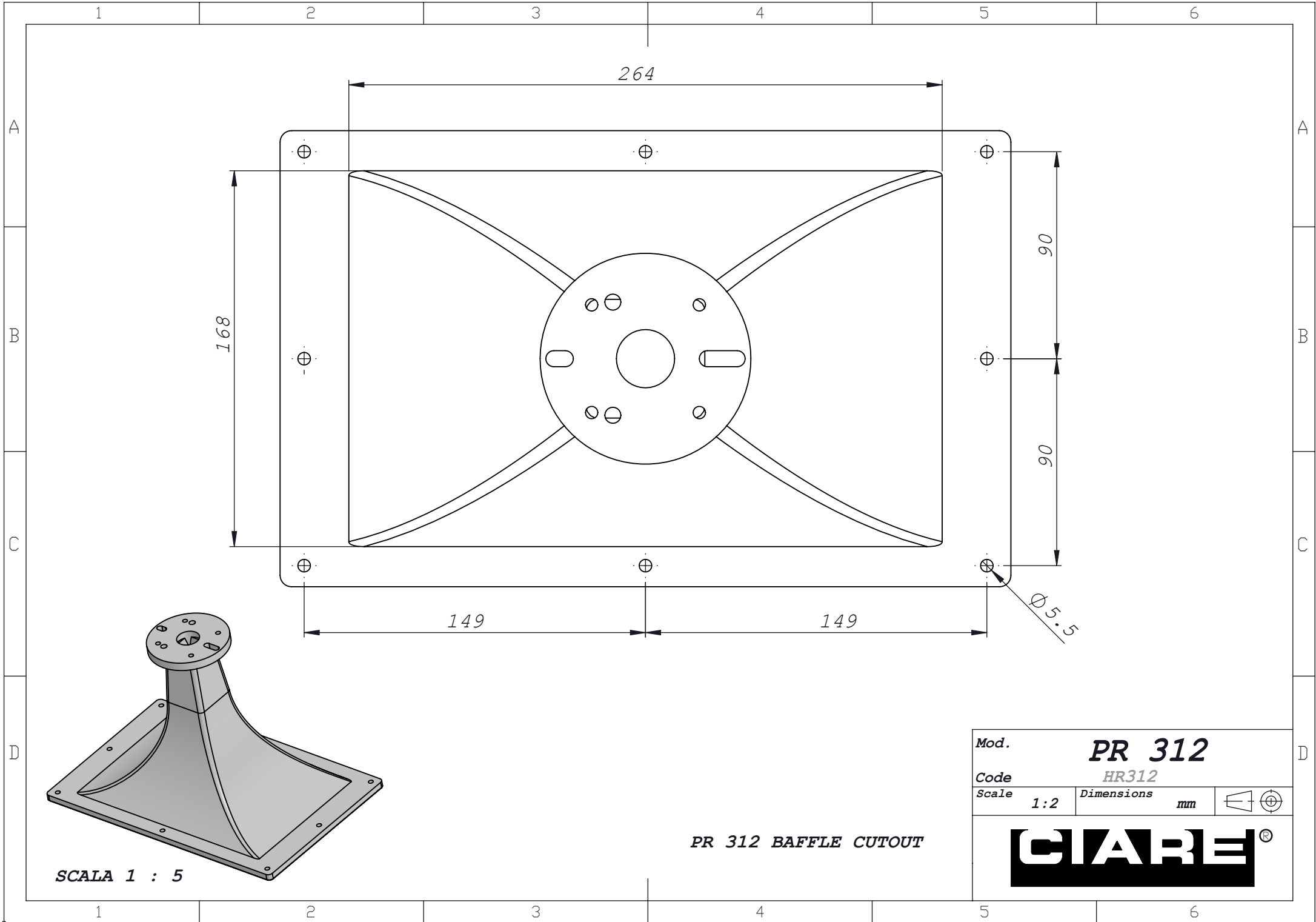


Mod.	PR 312		
Code	HR312		
Scale	1:2.5	Dimensions	mm





SCALA 1 : 5

PR 312 BAFFLE CUTOUT

Mod.	PR 312		
Code	HR312		
Scale	1:2	Dimensions	mm

